

ELITE
broom hook

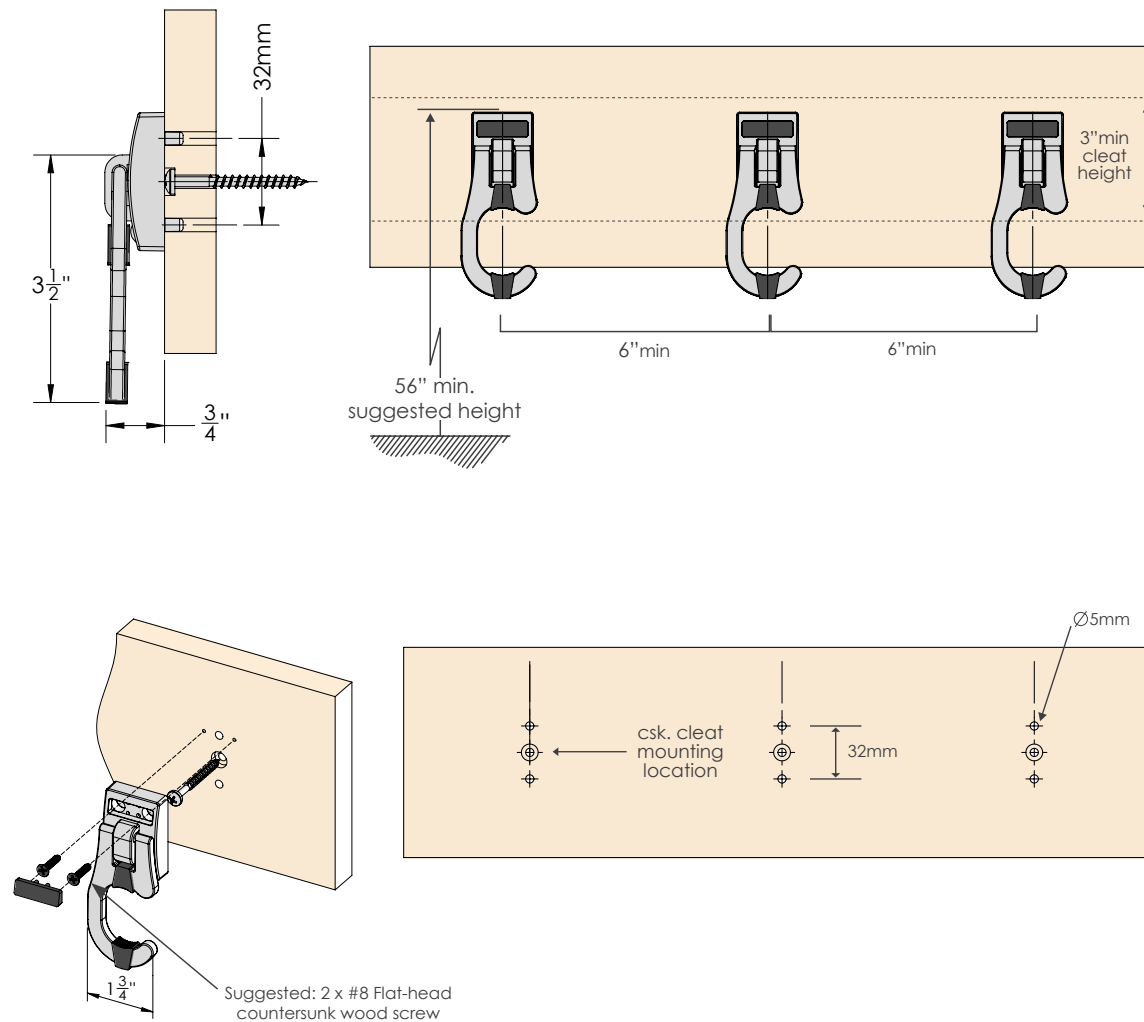
300.3195.xxx

FEATURES

Creates a storage solution for brooms and mops

- The hook is designed to secure the handle with a soft protecting coating that grips it

- Helps utilize the typically "dead" space under windows, behind doors and on angled walls



DIMENSIONS

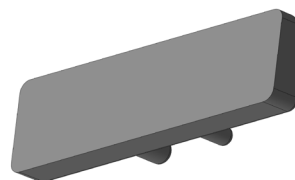
SPECS

BROOM HOOK



300.3195.^(FINISH)XXX

BLACK COVER CAP



300.3199.blk



FINISH:



OPTIONS



300.3195.MAL

FINISHED PRODUCT