

ELITE
broom hook

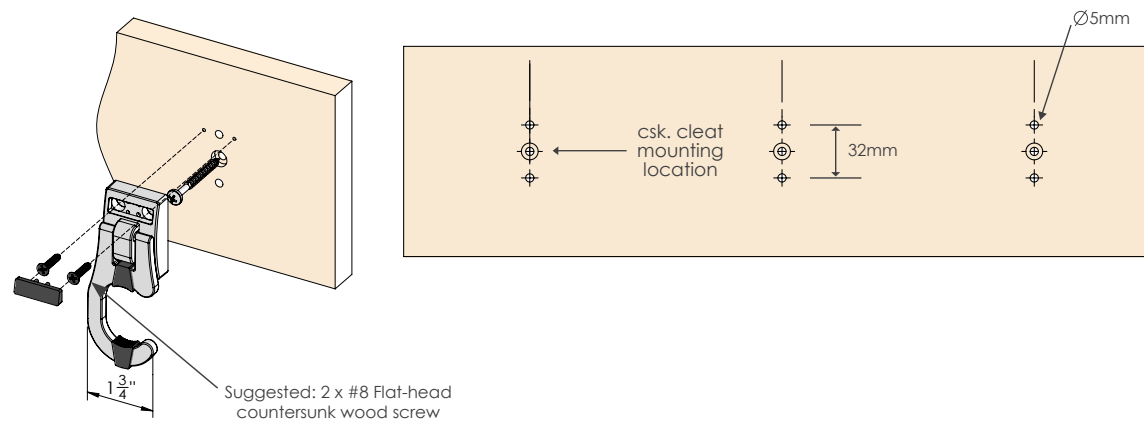
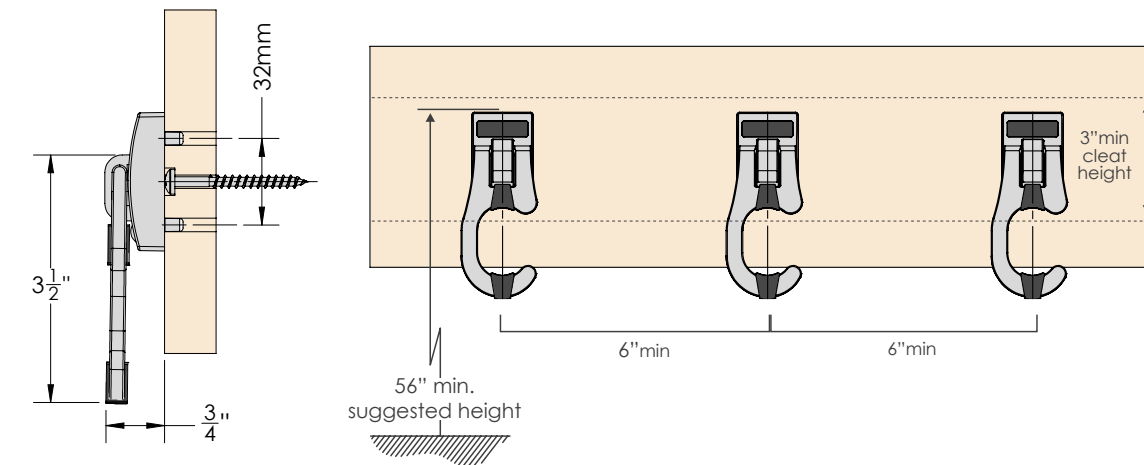
30.3195.00.xxx

FEATURES

Creates a storage solution for brooms and mops

- The hook is designed to secure the handle with a soft protecting coating that grips it

- Helps utilize the typically "dead" space under windows, behind doors and on angled walls



DIMENSIONS

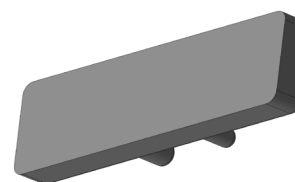
SPECS

BROOM HOOK



30.3195.00.^(FINISH)xxx

BLACK COVER CAP



30.3199.blk

OPTIONS

FINISH:

CR	MAL	MNL	SG	MG	ORB
POLISHED CHROME	MATTE ALUMINUM	MATTE NICKEL	SLATE	MATTE GOLD	OIL RUBBED BRONZE



30.3195.00.MAL

FINISHED PRODUCT