

TRACK | GARAGE
wrench holder

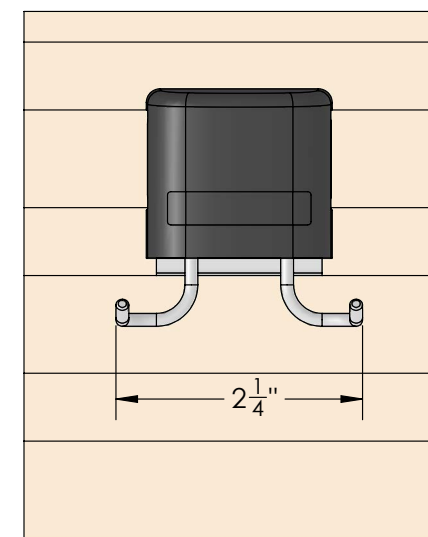
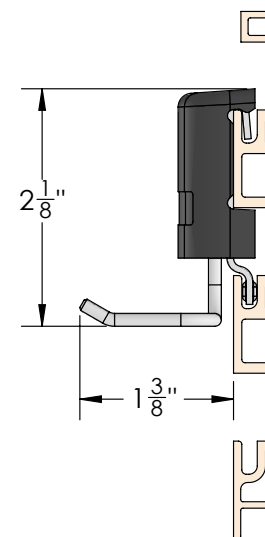
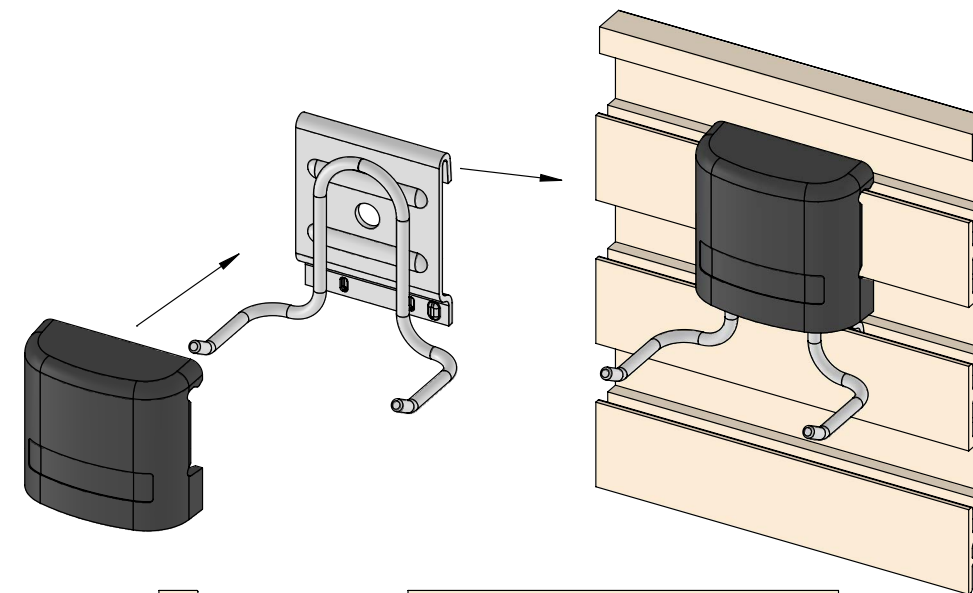
300.5232.MAL

FEATURES

Designed to store wrenches neatly on the track for easy access while working

- The double hook design accommodates any closed end wrench & cover cap secures the hook to the track

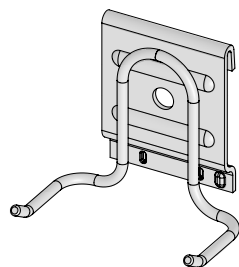
- Also ideal for organizing tools and accessories in craft rooms



DIMENSIONS

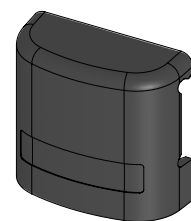
SPECS

WRENCH HOLDER



300.5232.MAL

BLACK COVER CAP



300.5230.BLK



FINISH:



MATE ALUMINUM

OPTIONS



FINISHED PRODUCT