

**TRACK | GARAGE**  
shelf brackets

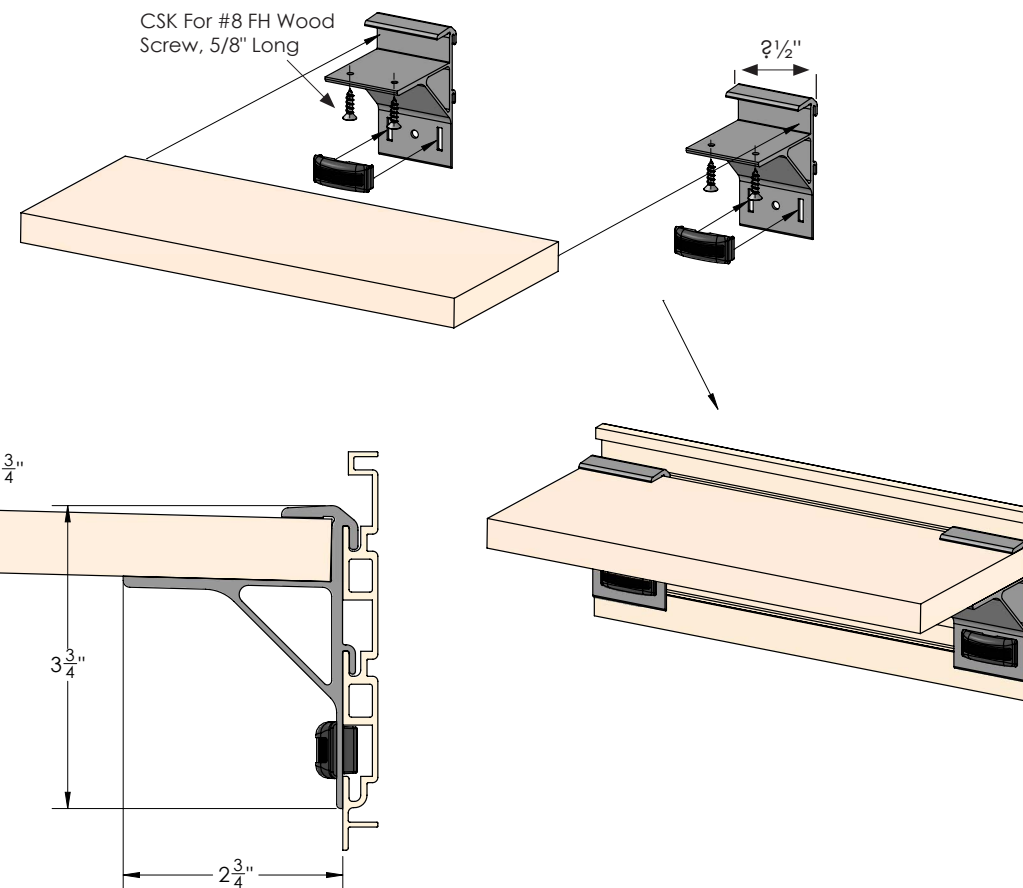
300.5208.MAL

**FEATURES**

Designed to add the convenience and functionality of a shelf to track walls

- Brackets support a 10" deep 3/4" thick shelf, with countersunk screw holes to fix the shelf

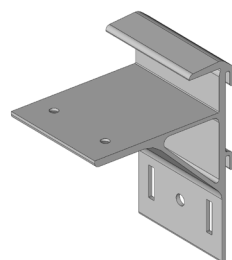
- The shelf brackets can be used at every 16" of width to create custom width shelves



**DIMENSIONS**

**SPECS**

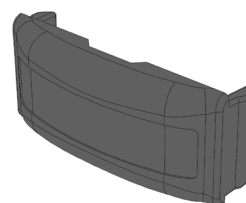
SHELF BRACKETS



300.5208.MAL



BLACK COVER CAP



300.5200.BLK

**FINISH:**



**OPTIONS**

**FINISHED PRODUCT**

