

HANDLES & FEET

pull handle

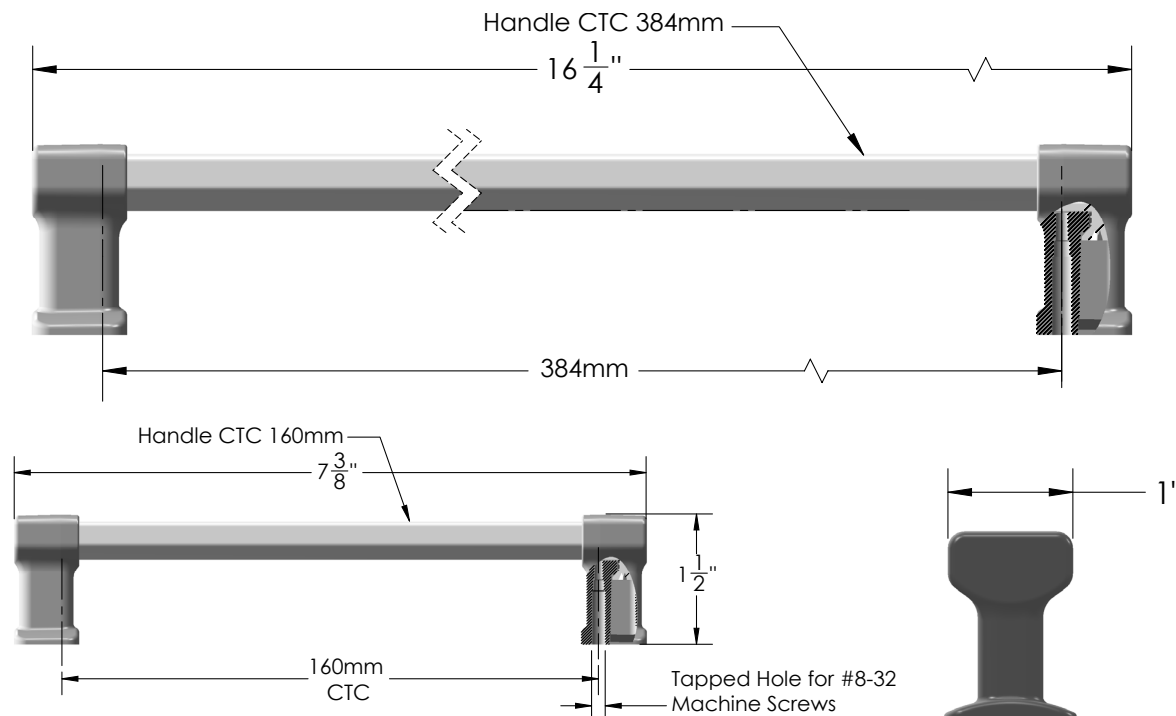
300.5312 | 13.MAL

FEATURES

Great addition to the designs that feature track panels and hooks

- All-metal construction is durable and stylish

- Flexible enough to fit into any garage, craft room or office



DIMENSIONS

SPECS

300.5312.MAL
160mm CTC

300.5314.MAL
384mm CTC

OPTIONS

FINISH:
MAL
MATE ALUMINUM



300.5312.MAL

FINISHED
PRODUCT