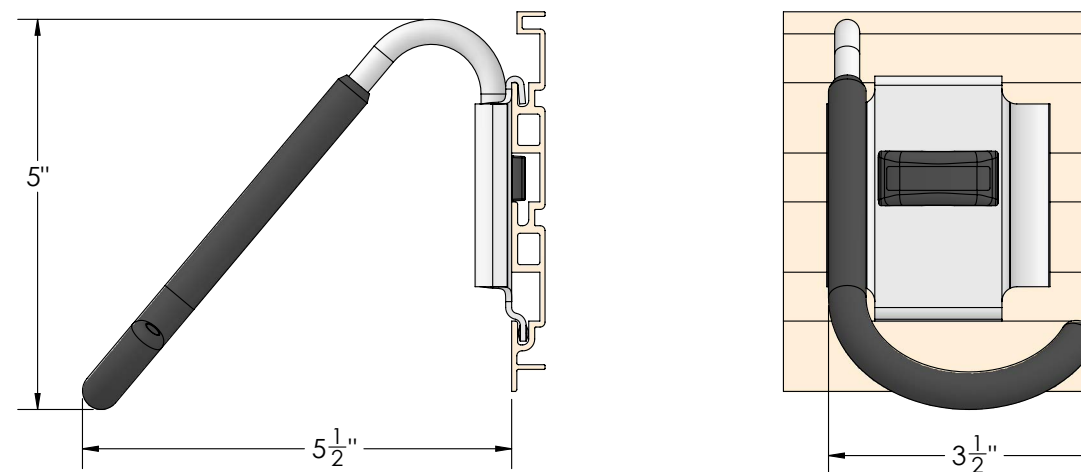
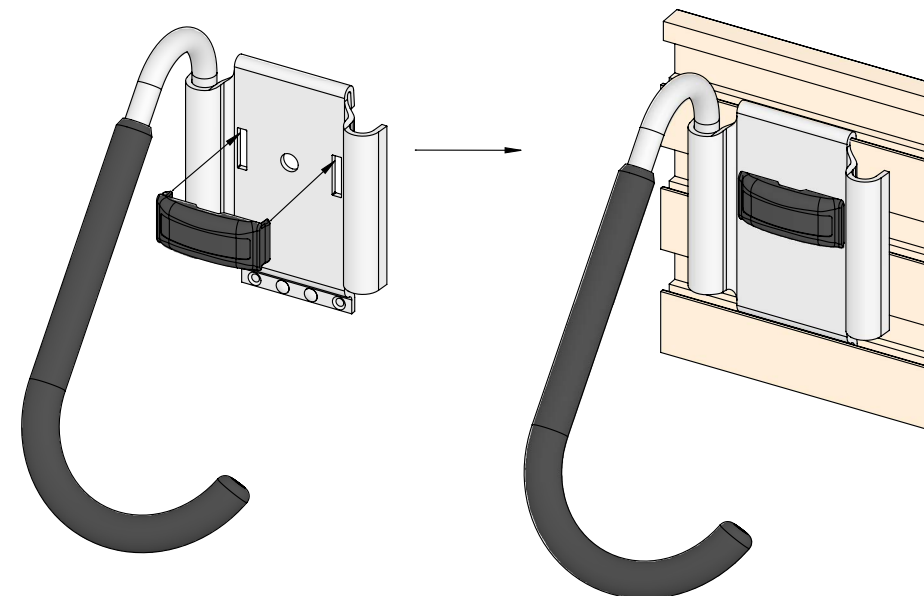


TRACK | GARAGE
bike hook

300.5202.MAL

FEATURES

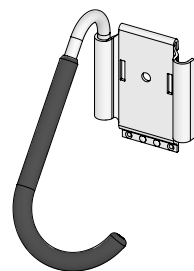
- Specifically designed to store bicycles vertically
- The hook shape hangs any size or style bike by a single wheel
- Hole in middle of base allows a screw to be secured into the wall stud if desired
- Cover cap secures hook to track & soft protective cover protects the finish of the rim



DIMENSIONS

SPECS

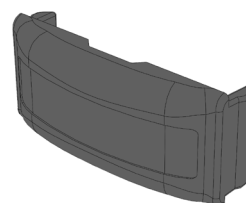
BIKE HOOK



300.5202.MAL



BLACK COVER CAP



300.5200.BLK

FINISH:



OPTIONS

**FINISHED
PRODUCT**

