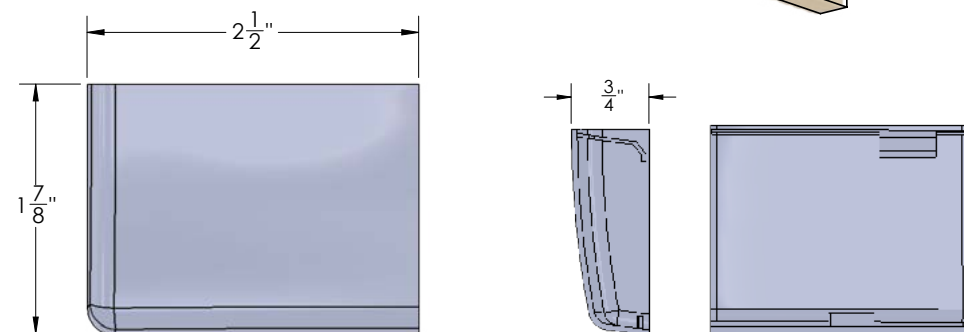
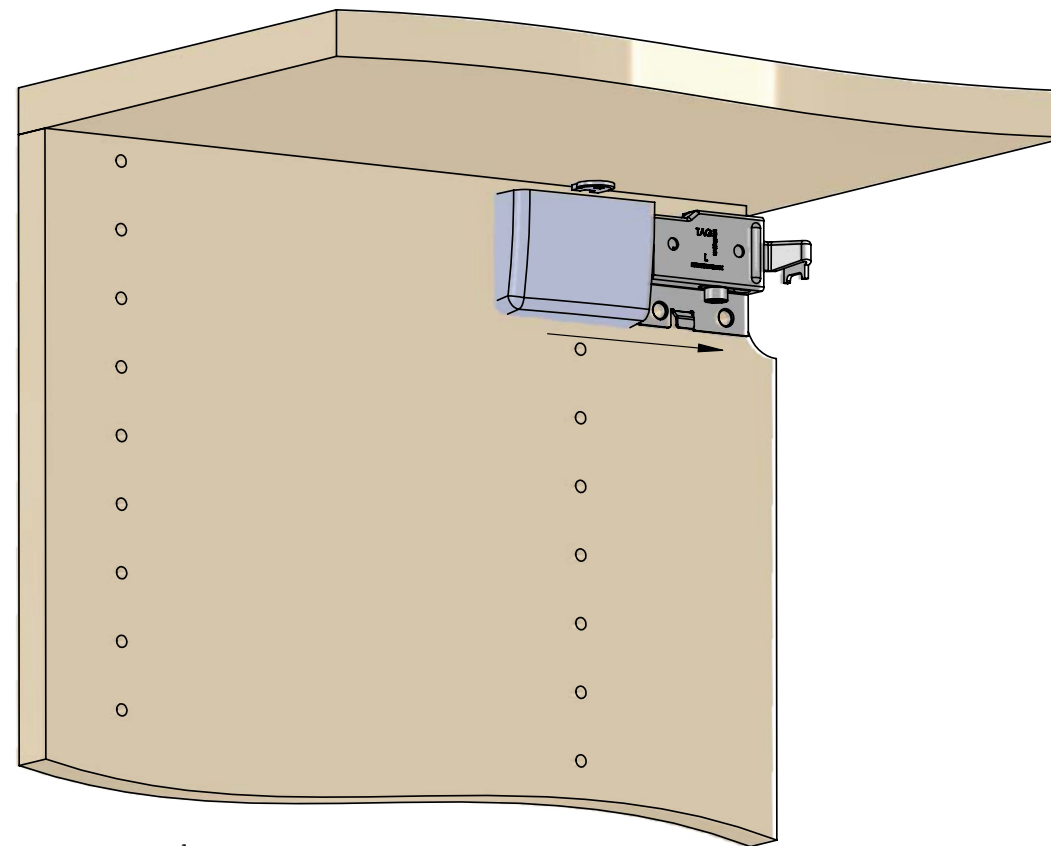


HARDWARE
suspension bracket cover

LEFT 300.3746.xxx
RIGHT 300.3747.xxx

FEATURES

Snaps directly onto the Suspension Bracket, covering the hardware for a beautifully finished closet



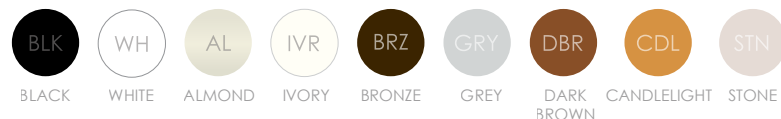
DIMENSIONS

SPECS

300.3746.^(FINISH)xxx
LEFT

300.3747.^(FINISH)xxx
RIGHT

FINISH:



OPTIONS

FINISHED PRODUCT



Left 300.3746.WH
Right 300.3747.WH