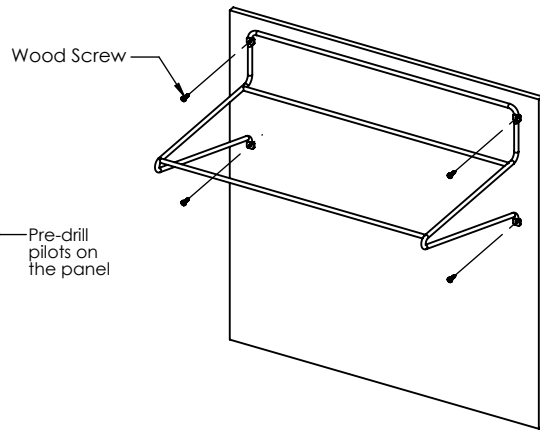
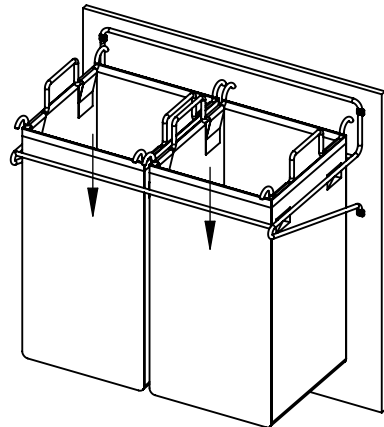


STEP 1: PRE-DRILL PILOTS ON PANEL AS SHOWN ABOVE



STEP 2: INSTALL FRAME ON PANEL USING WOODS SCREWS



STEP 3: INSERT HAMPER BAG(S) INTO FRAME FROM ABOVE