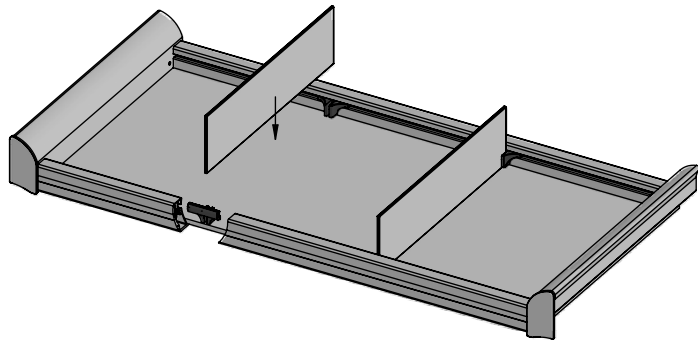
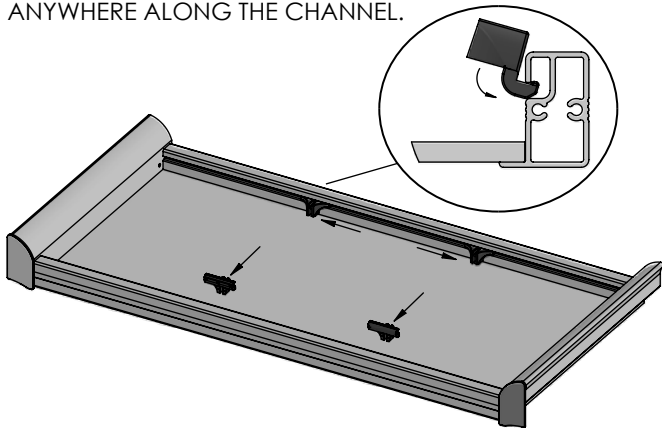


STEP 1: INSERT THE PLASTIC CLIPS INTO THE CHANNEL ON THE FRONT AND REAR CROSSBARS. THE CLIPS CAN BE PLACED ANYWHERE ALONG THE CHANNEL.



STEP 2: INSERT THE ACCESSORY DIVIDERS INTO THE CLIPS.

View How To Videos for more information.
<https://www.youtube.com/user/TagHardware>